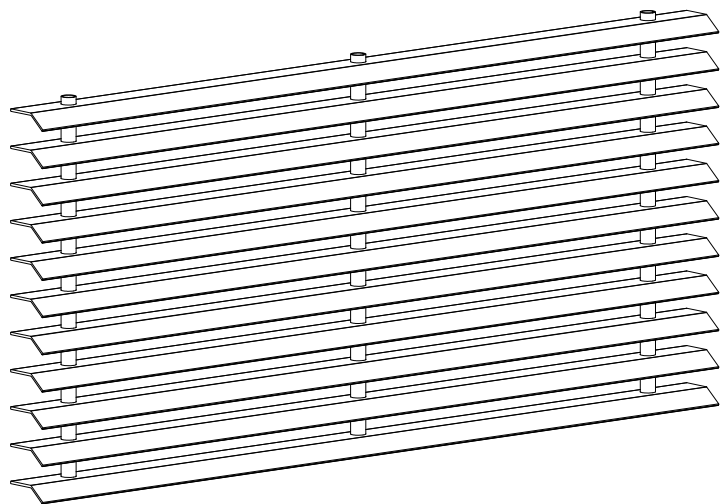
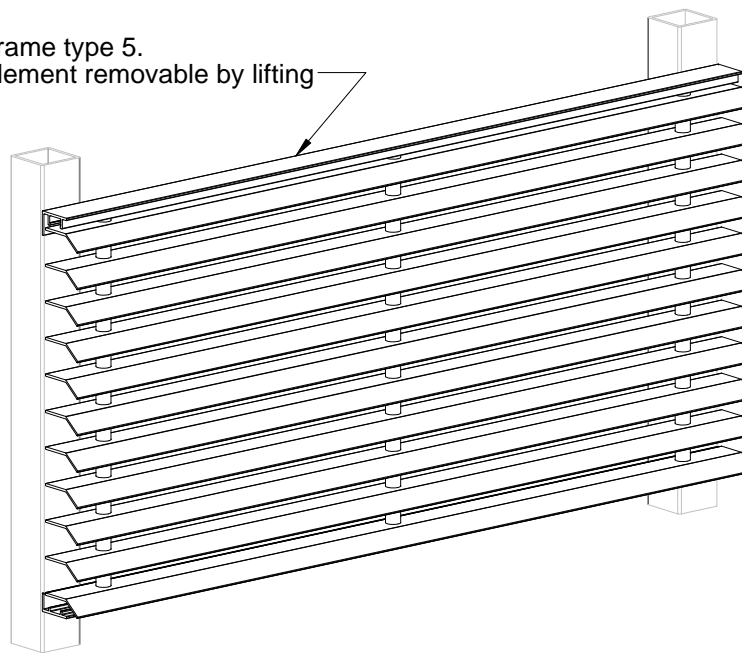


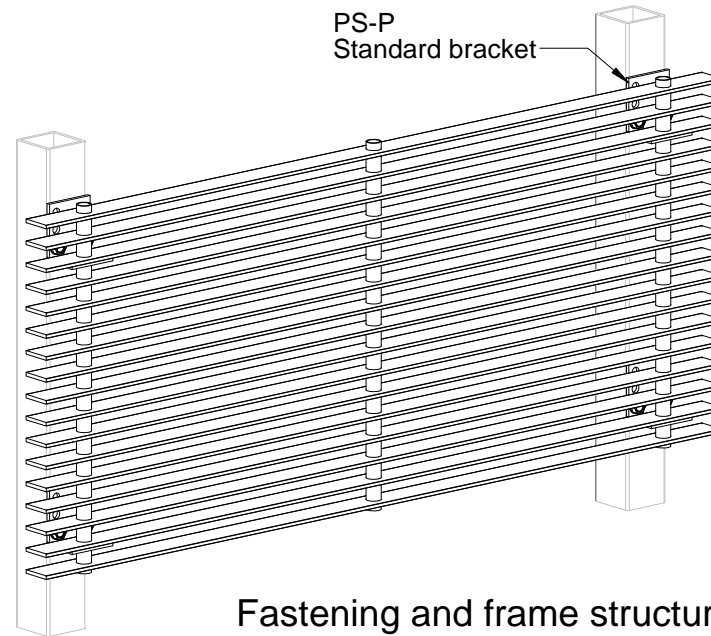
PS-P -Façade, tube assembled



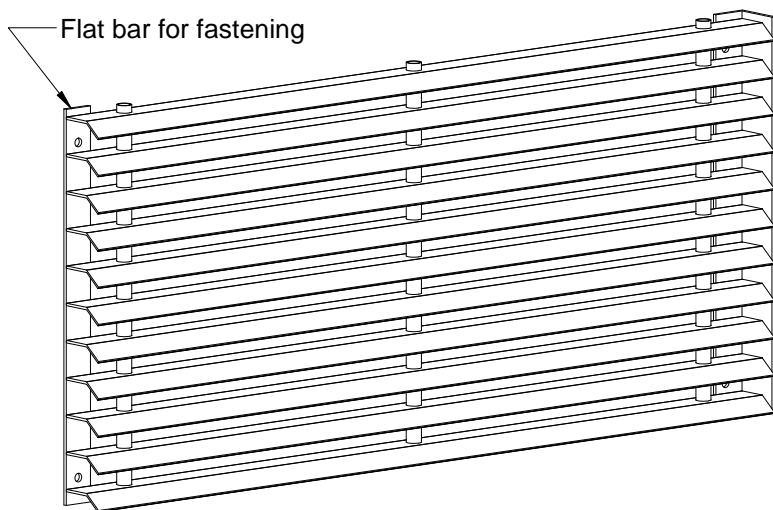
Frame type 5.
Element removable by lifting



PS-P
Standard bracket




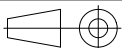
Flat bar for fastening



L-frame, on side or around.
Several sizes available

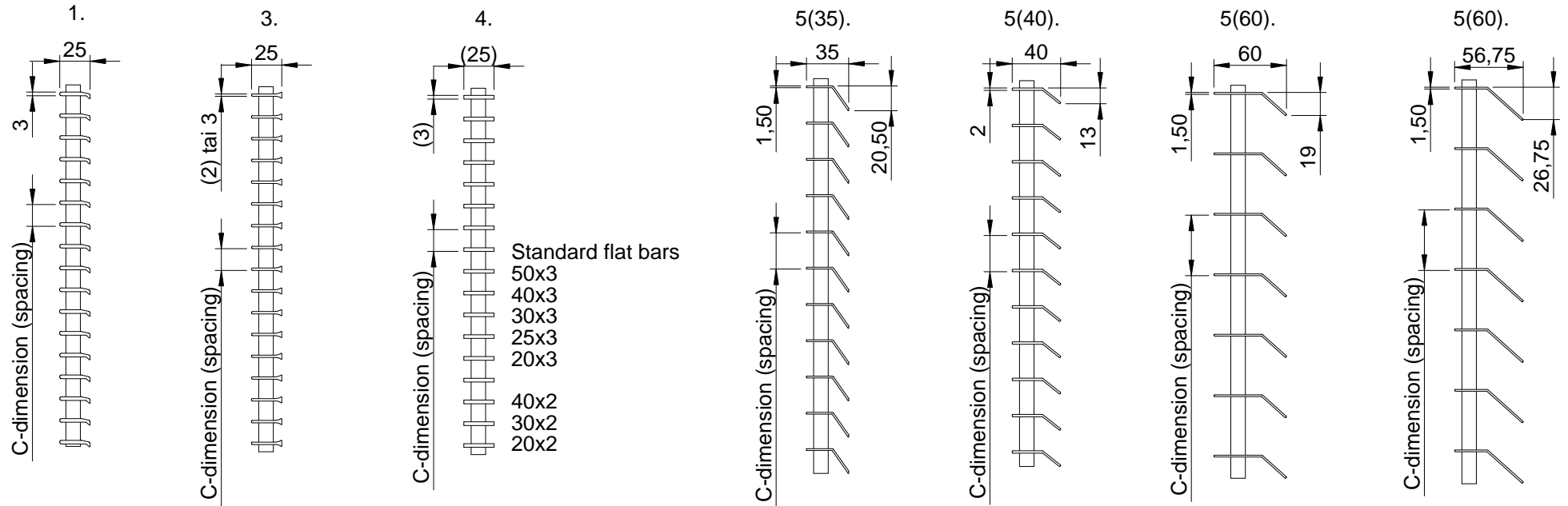
Fastening and frame structure
case by case basis.

Frames case by case basis

 <p>+358 (0)20 742 1700</p>		Mittakaava Scale 1:6 A4	Tuote Product PS-P Façade	Piirtänyt Drawn by HRi
	Nimi Name PS-P Façade, tube assembled element	Materiaali Material Aluminium	Pvm. piirretty Date created 30.1.2013	Pintakäsittely Surface finish Powder painting or anodizing

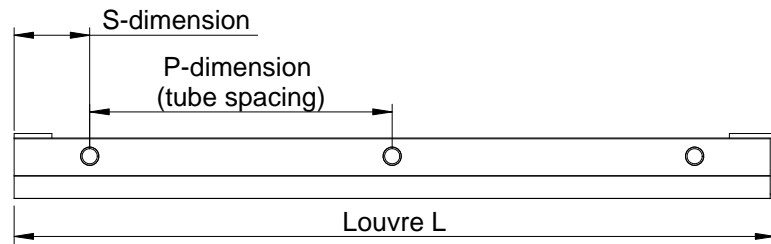
PS-P -Façade, tube assembled

Profile types



Standard spacing: 13,13,18 and multiple.
Others case by case basis.

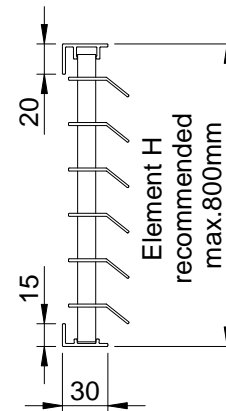
Frames case by case basis



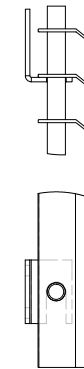
Standard L-profiles
60x30x3
40x30x3
30x30x3
Others case by case basis.

Frame type 5
30x20-top frame
30x15-bottom frame

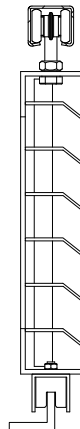
Frame type 5




Standard bracket



Sliding



 +358 (0)20 742 1700	Mittakaava Scale 1:5 A4	Tuote Product PS-P Façade	Piirtänyt Drawn by HRi
	Nimi Name PS-P Façade, tube assembled element	Materiaali Material Aluminium	Pvm. piirretty Date created 30.1.2013